

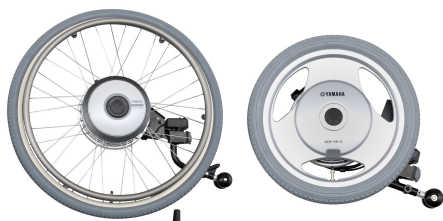
NAVIGO™ Joystick Power System

The NAVIGO joystick power system is an intelligent mobility solution that can be added to a manual wheelchair frame. The transportability of the NAVIGO gives the rider additional options for full or part time powered mobility. The NAVIGO joystick system includes:

Joystick Controller



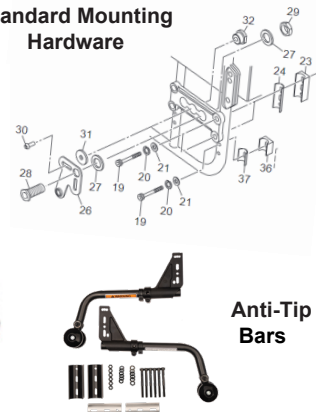
Pair of 24" or 16" Wheels



Battery, Backpack and Charger (Nickel or Lithium)



Standard Mounting Hardware



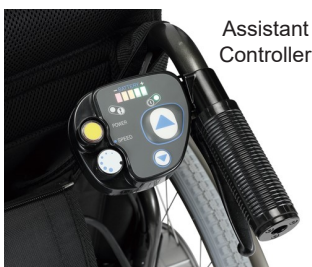
*Standard mounting hardware included for some common horizontal and vertical axle plate types**

NAVIGO System Options

Model #	Wheel Size		Hand Rim		Battery Type		MSRP	Order
	16"	24"	Stainless	Not applicable	Nickel	Lithium		
JWCX0FC0100	✓			✓	✓		\$5,595	<input type="checkbox"/>
JWCX0FC0200	✓			✓		✓	\$6,595	<input type="checkbox"/>
JWCX0FD0100		✓	✓		✓		\$5,595	<input type="checkbox"/>
JWCX0FD0200		✓	✓			✓	\$6,595	<input type="checkbox"/>

NOTE: All NAVIGO joystick power systems ship standard with pneumatic tire

NAVIGO Accessories / Additional Hardware



Assistant Controller

Accessories	Options	MSRP	Order
Assistant Controller	X0F48202B2	\$695	<input type="checkbox"/>
Nickel Spare Battery	XA482100C0	\$1,495	<input type="checkbox"/>
Lithium Spare Battery	X0C82100D	\$2,505	<input type="checkbox"/>
Adapter Set for Unique Axle Plate Systems*	Compatibility Matrix	\$295	<input type="checkbox"/>

* Standard hardware package includes additional parts for multiple mounting options. Mounting guidelines are for common axle plate types and compatibility is not guaranteed. For specific compatibility, please contact your local Yamaha Representative. Additional parts may be required in some cases.

Please specify frame make and model name

Frame Make	
Frame Model	
Purchase Order #	

System Subtotal	\$
Accessories Subtotal	\$
Axle Plate Subtotal	\$
Sales Tax	\$
Freight fee to Dealer	\$
TOTAL	\$

714-229-7959 yamahanavi@yamaha-motor.com
 Yamaha Motor Corporation, U.S.A.
 6555 Katella Avenue, Cypress, CA 90630
 ©2023 Yamaha Motor Corporation, U.S.A. All rights reserved

